

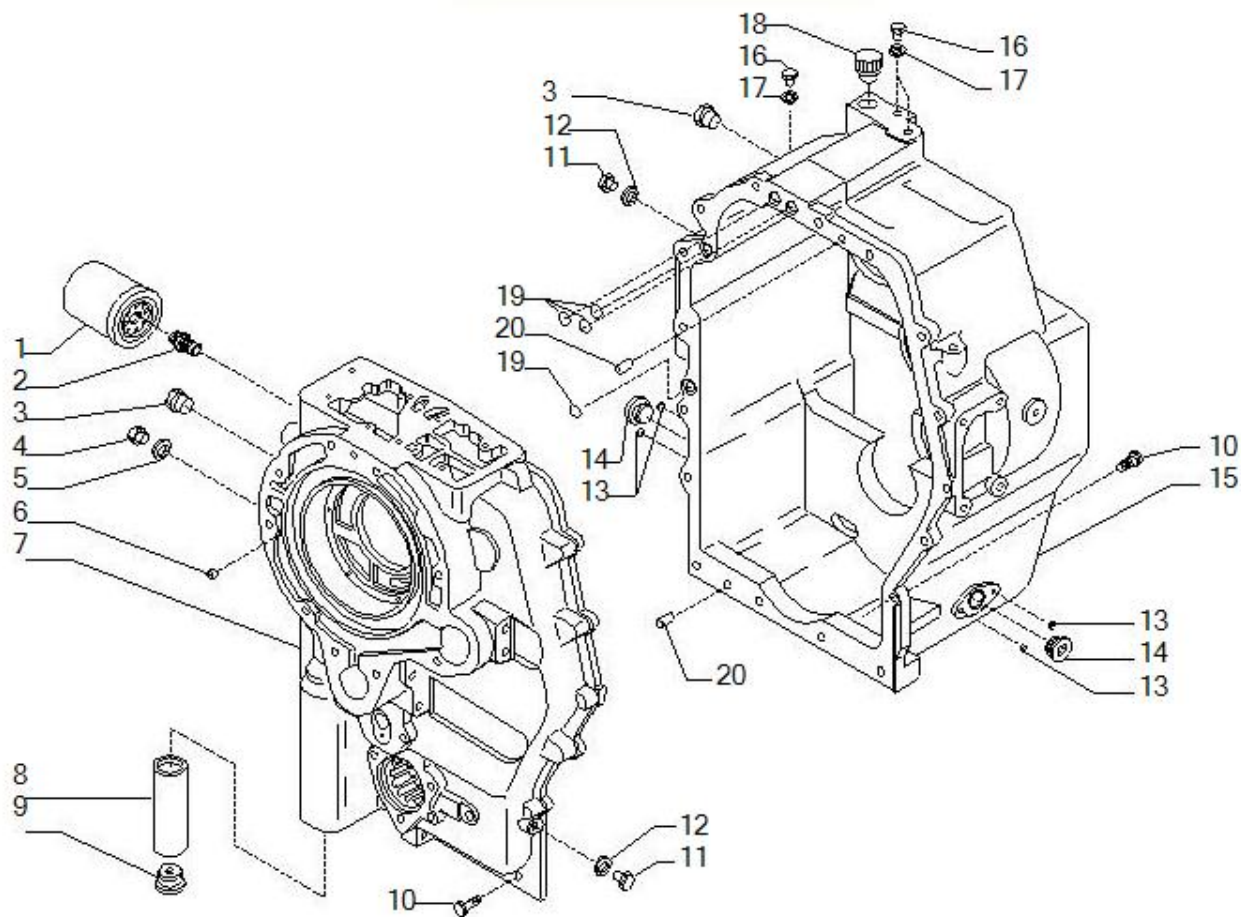


## Spare parts catalogue

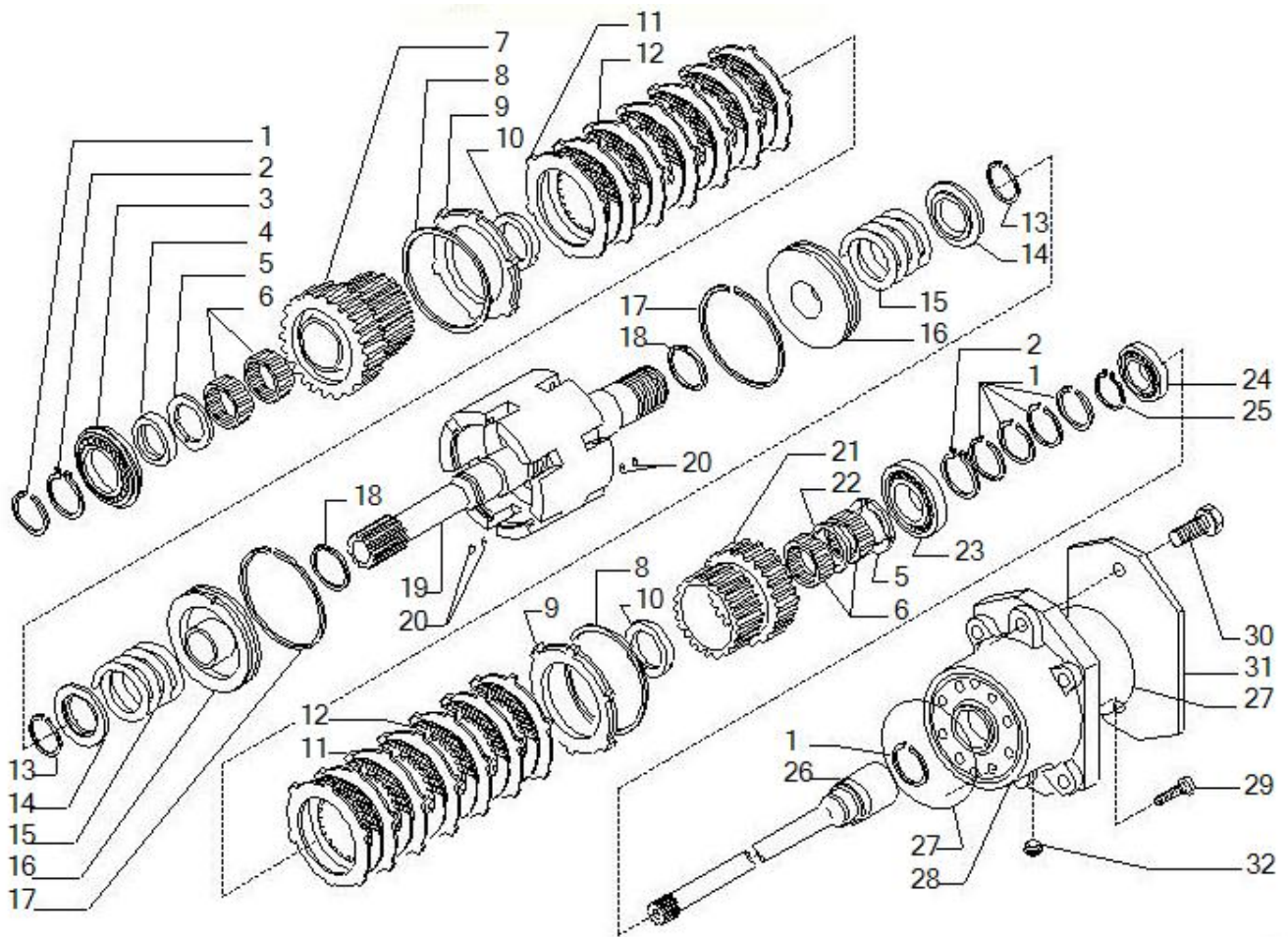
**TRANSMISSION TLB2\_(CM9349){0001}**

**REF: 139600**

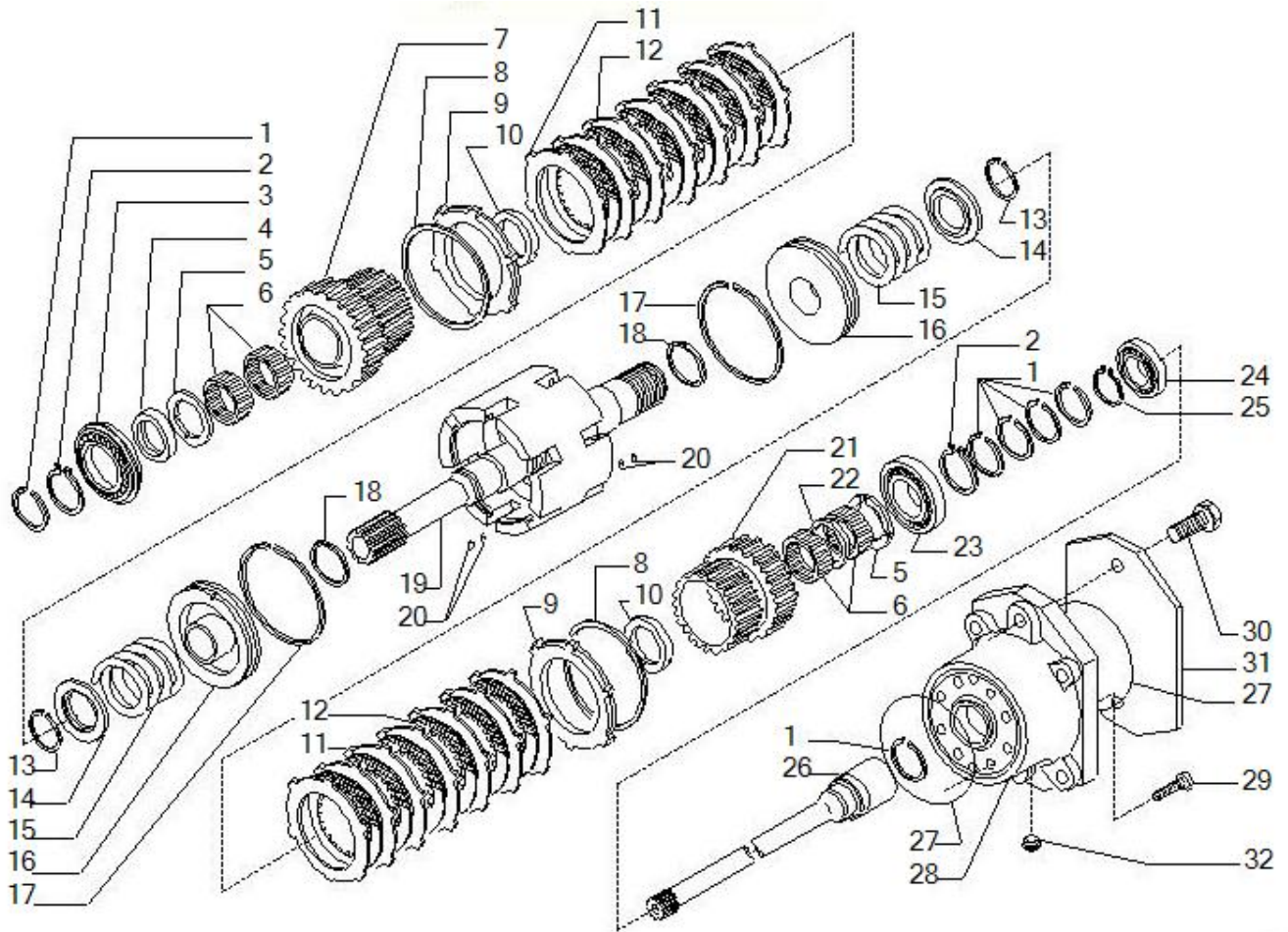
- 1.1 Scatola trasmissione**
- 2.1 Oil pump**
- 3.1 Albero primario (asse B) e albero rinvio (asse D)**
- 4.1 Electronic /hydraulic system**
- 5.1 Tubazioni e sensori**
- 6.1 Secondary shaft (axe C)**
- 7.1 Assi**
- 8.1 Scatola trasmissione**
- 9.1 Oil pump**
- 10.1 Albero primario (asse B) e albero rinvio (asse D)**
- 11.1 Electronic /hydraulic system**
- 12.1 Tubazioni e sensori**



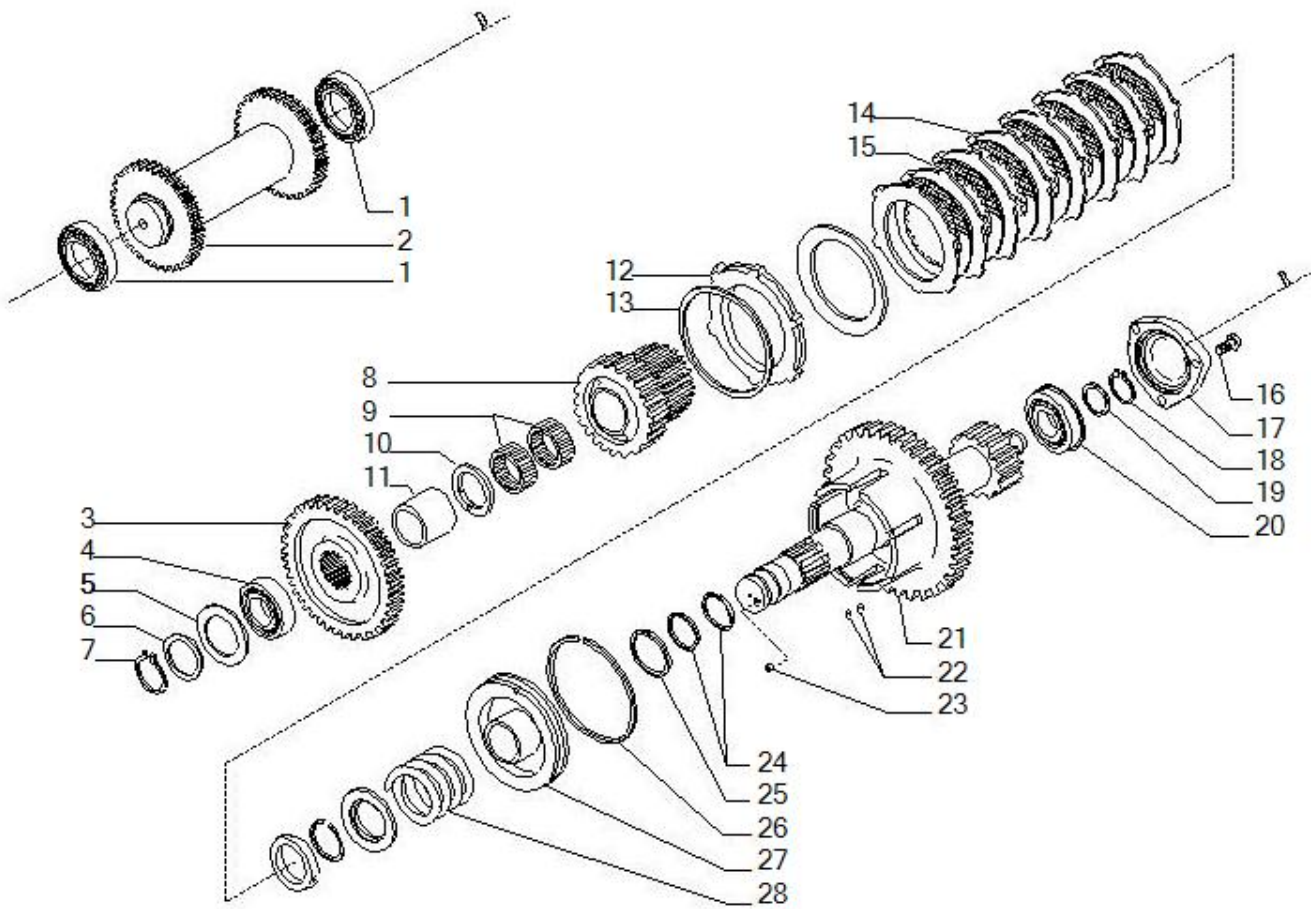
Pos	Ref	Qty	Description	Kit	Note
1	040701	1	FILTER Oil CARRARO		
2	131217	1	OIL FILTER CONNECTOR		
3	030745	2	Plug 7/8		
4	021572	1	Plug		
5	023272	1	Copper washer		
6	021558	1	Plug M10x1		
7	139349	1	HALF GEARBOX HOUSING (118		
8	138385	1	OIL FILTER		
9	138386	1	MAGNETIC PLUG M4X2		
10	020852	17	Bolt M10x30		
11	021583	2	Plug		
12	023287	2	Washer		
13	030773	4	Plug D7		
14	125280	2	MAGNETIC PLUG M30X2		
15	139350	1	REAR HALF-HOUSING		
16	021322	3	PLUG 1/8 GAS A-301010		
17	023260	3	Copper washer 10x14x1.5		
18	030368	1	Breather		
19	028560	4	O.ring		
20	072259	2	Pin D10x25		



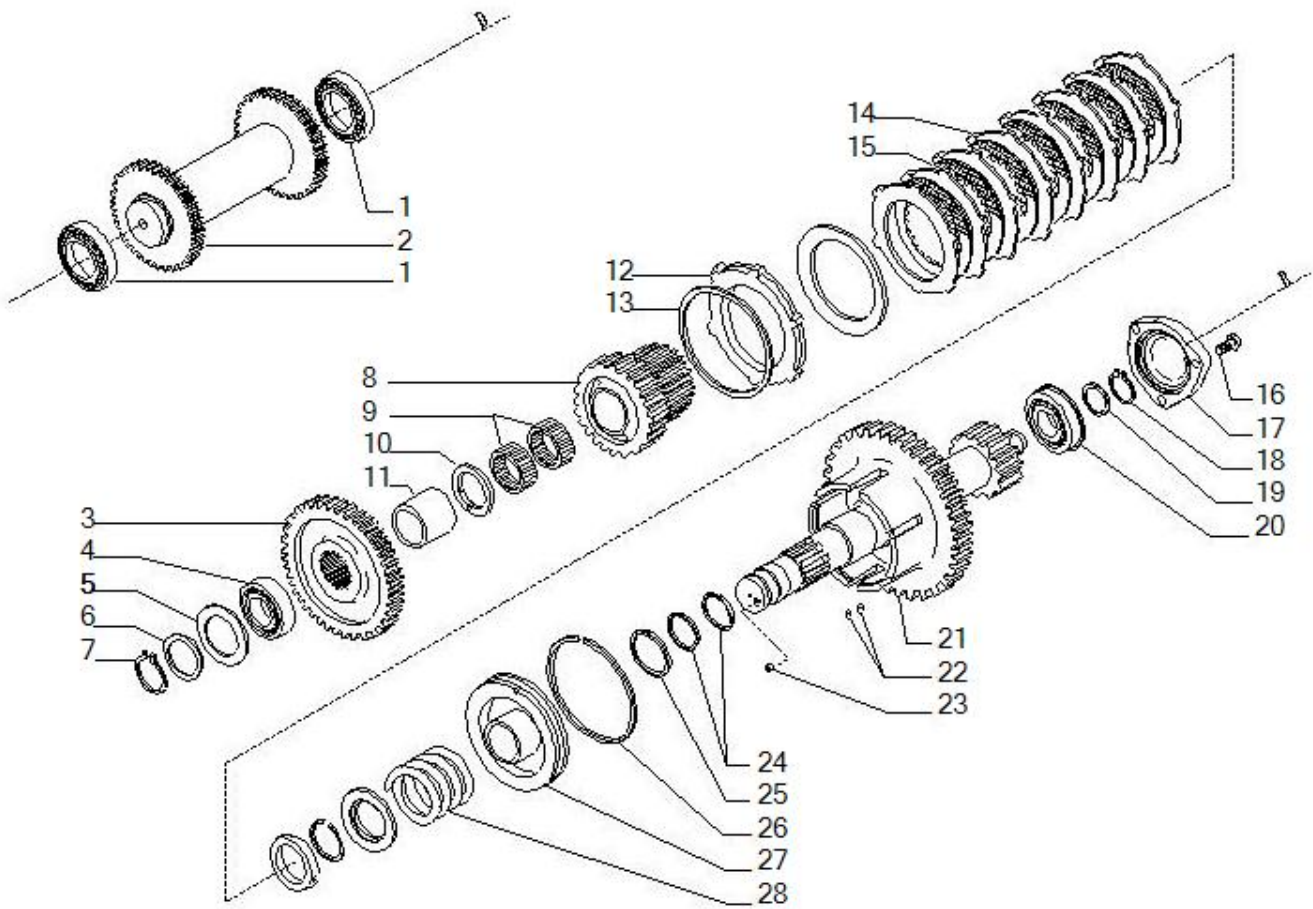
Pos	Ref	Qty	Description	Kit	Note
1	137823	6	ROTARY SEAL RING		
2	024800	2	Snap ring		
3	026160	1	Bearing		
4	129885	1	SPACER		
5	129886	2	THRUST SHOE		
6	028041	4	Needle bearing bush		
7	138392	1	GEAR		
8	025067	2	Lockring		
9	135020	2	BACKING PLATE		
10	129901	2	RALLA 70X50X4		
11	133924	14	COUNTERPLATE FRIZIONE HI/LO		
12	138574	12	FRICITION PLATE Clutch		
13	025031	2	Lockring		
14	133912	2	SPRING LOCK		
15	129896	2	COMPRESSION SPRING 7-78-63.3		
16	133905	2	PISTONE FRIZIONE		
17	138790	2	ROTARY SEAL RING D138		
18	138788	2	ROTARY SEAL RING D45		
19	135198	1	INNER SHAFT		
20	024321	4	Split pin D3x8		
21	138358	1	GEAR		
22	129903	1	DISTANZIALE 55X51X4		
23	025829	1	Bearing		
24	025735	1	Bearing		
25	024785	1	CIRCLIP DIN 471 30		



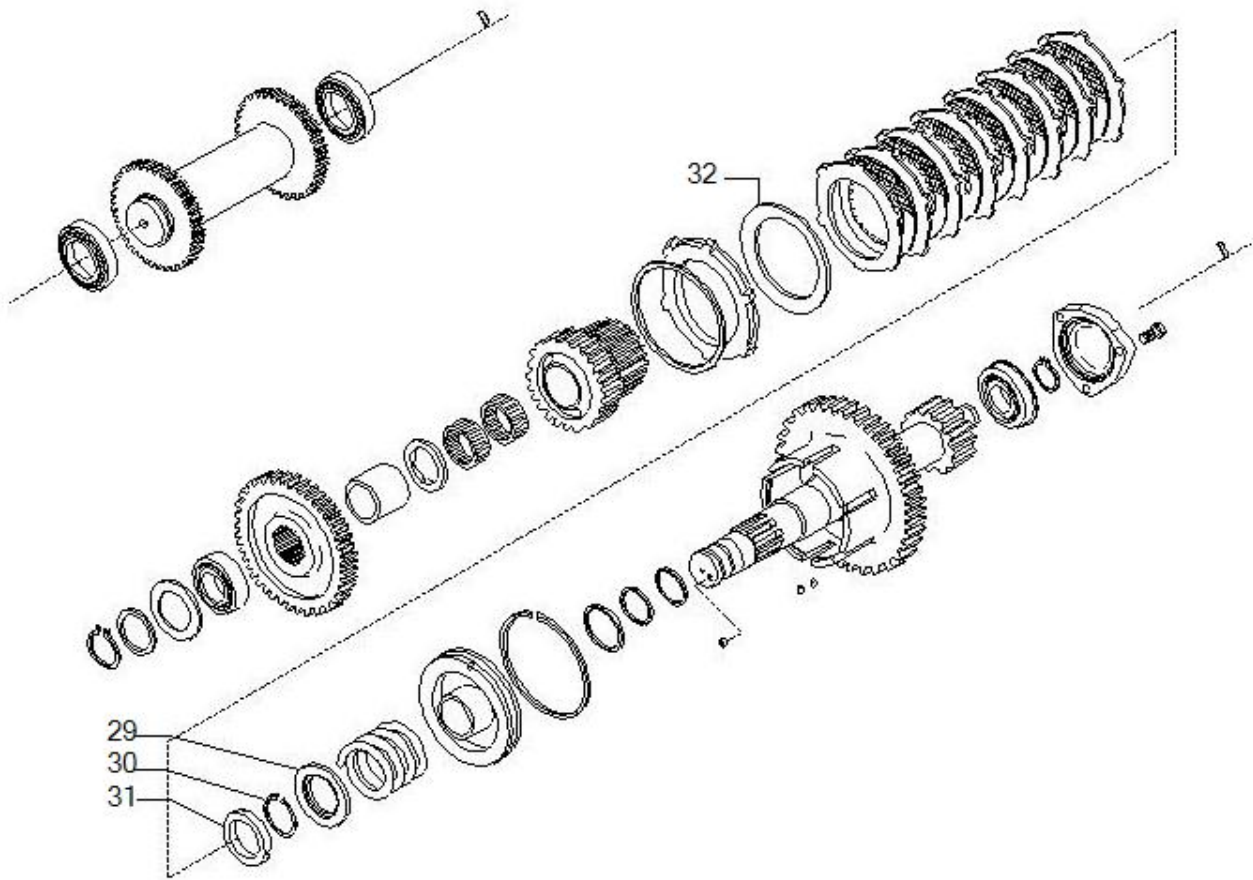
Pos	Ref	Qty	Description	Kit	Note
26	138383	1	TRANSMISSION SHAFT L589 PTO		
27	028571	2	O.ring		
28	138387	1	FLANGE		
29	021410	8	Bolt M10x30		
30	021009	2	Bolt M16x45		
31	138550	1	COVER		
32	030720	2	Plug 9/16		



Pos	Ref	Qty	Description	Kit	Note
1	025808	2	Bearing		
2	137647	1	COUNTERSHAFT Z27/27 M4		
3	133174	1	GEAR Z45 M3.5		
4	025809	1	Bearing		
6	125829	1	THRUST SHOE 40.5X50X2		
7	025053	1	Lockring		
8	138362	1	GEAR		
9	028015	2	Needle bearing bush		
10	129886	1	THRUST SHOE		
11	138359	1	SPACER		
12	140332	1	BACKING PLATE		
13	025067	1	Lockring		
14	133980	9	COUNTERPLATE Clutch		
15	138574	8	FRICITION PLATE Clutch		
16	020852	3	Bolt M10x30		
17	133372	1	COVER		
18	024790	1	CIRCLIP		
19	125830	1	FLAT WASHER 35.5X45X2		
20	026188	1	Bearing		
21	138363	1	SHAFT		
22	024321	2	Split pin D3x8		
23	021558	1	Plug M10x1		
24	138786	2	SEAL RING		
25	138788	1	ROTARY SEAL RING D45		
26	138790	1	ROTARY SEAL RING D138		

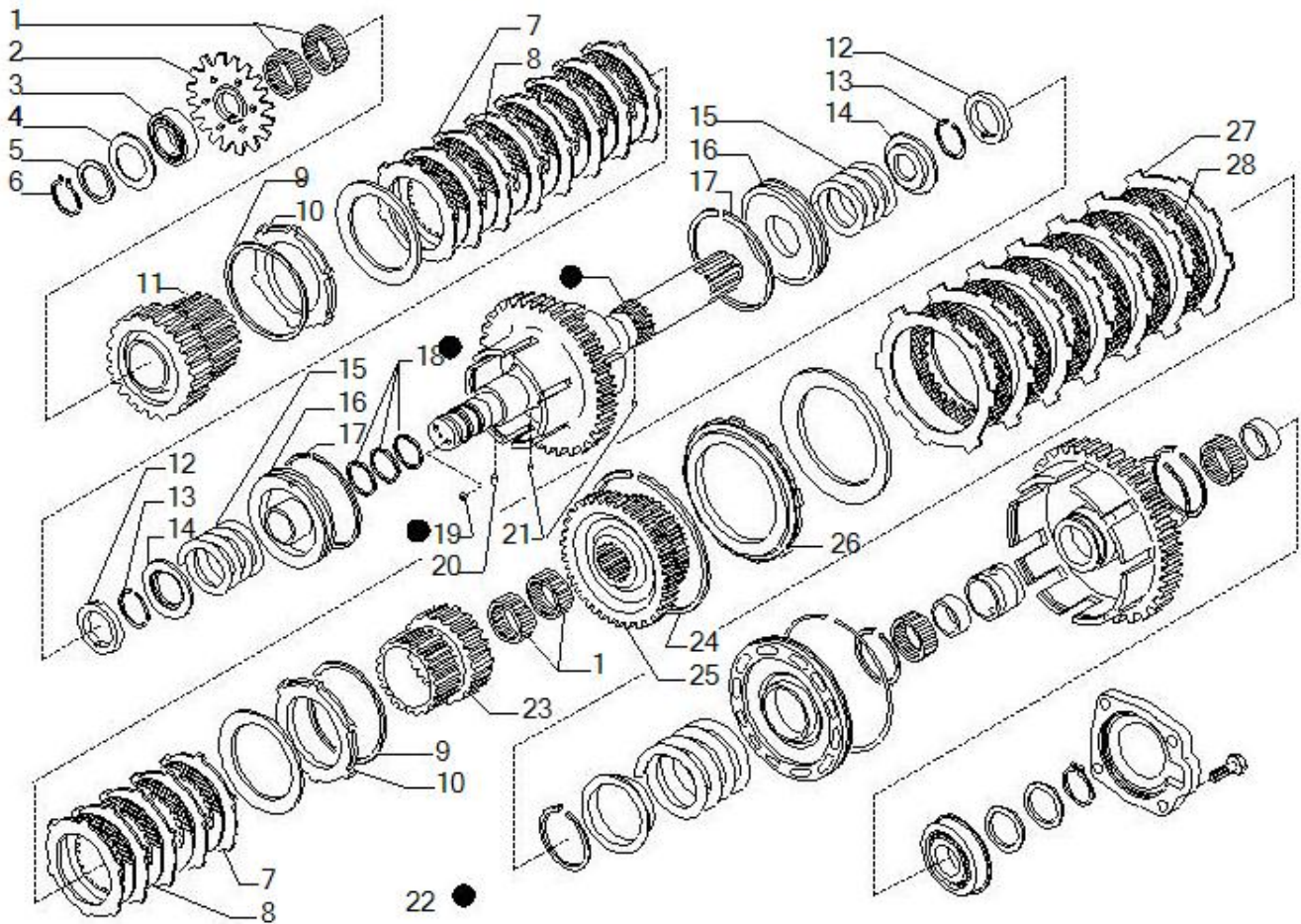


<b>Pos</b>	<b>Ref</b>	<b>Qty</b>	<b>Description</b>	<b>Kit</b>	<b>Note</b>
27	140126	1	LOCK-SPRING COVER		
28	129896	1	COMPRESSION SPRING 7-78-63.3		

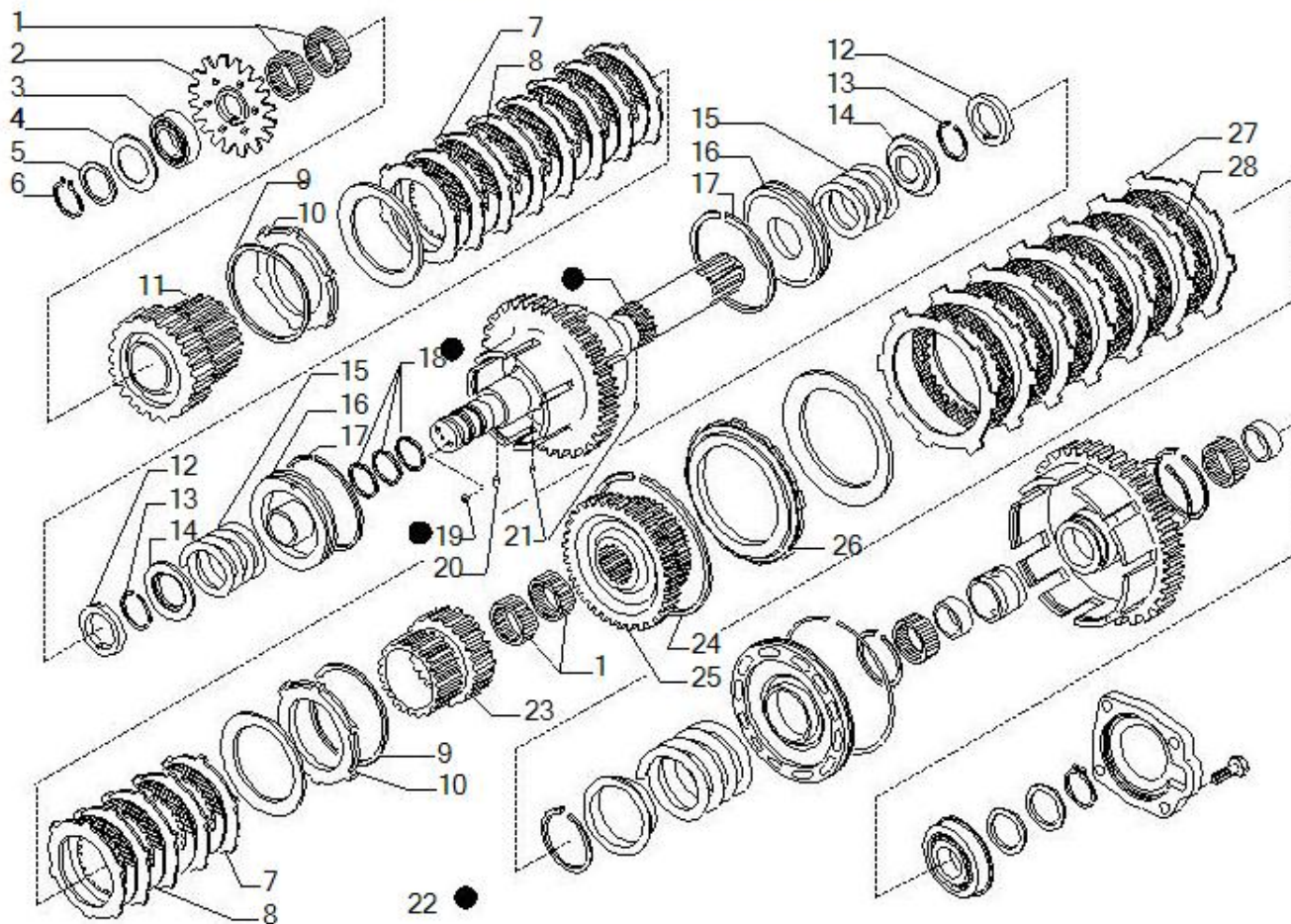


<b>Pos</b>	<b>Ref</b>	<b>Qty</b>	<b>Description</b>	<b>Kit</b>	<b>Note</b>
29	133912	1	SPRING LOCK		
30	025031	1	Lockring		
31	129901	1	RALLA 70X50X4		
32	140116	1	BELLEVILLE WASHER 139X106X3		

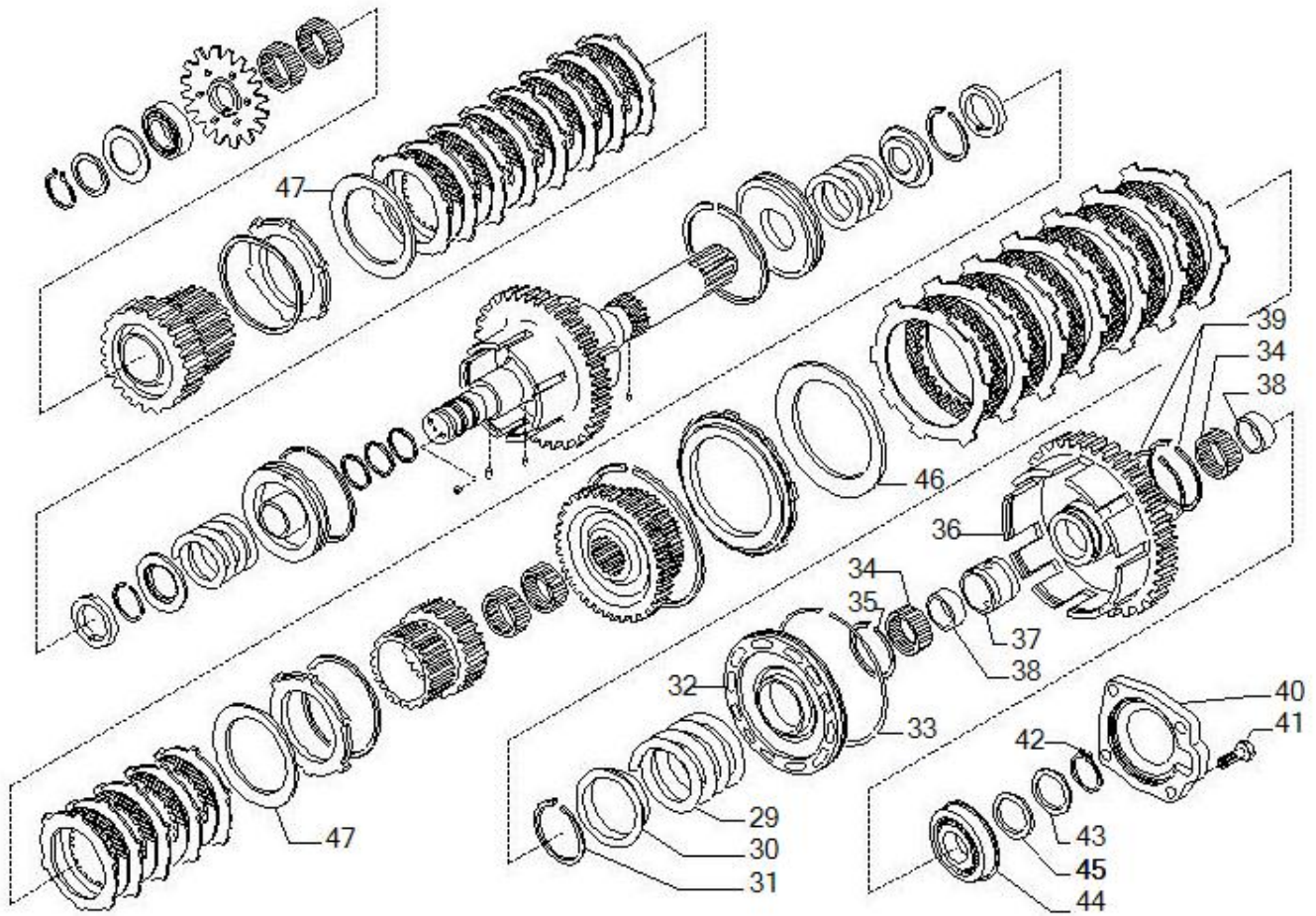




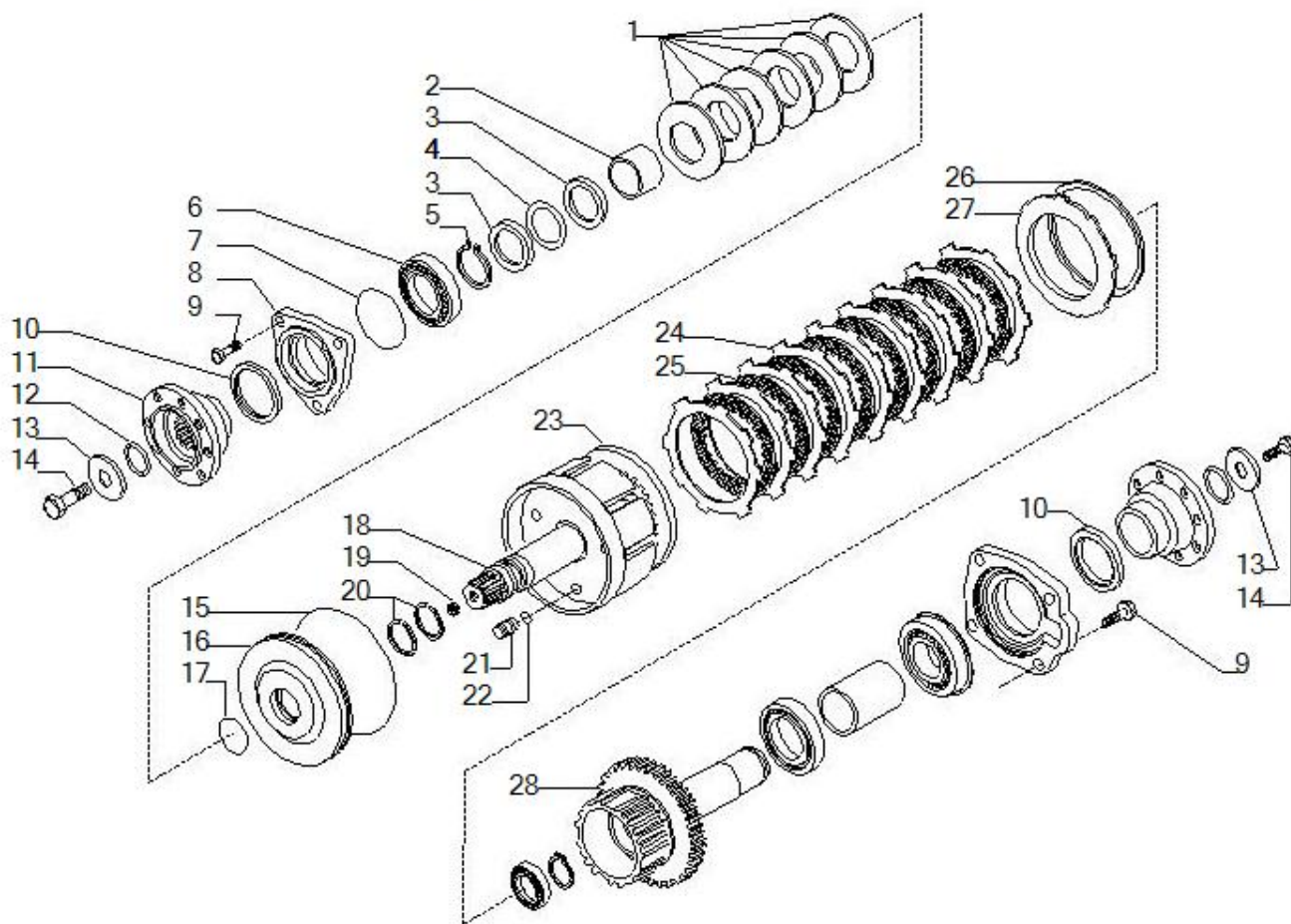
Pos	Ref	Qty	Description	Kit	Note
	023834	2	Rivet	068853	
	138786	3	SEAL RING	068853	
1	028041	4	Needle bearing bush		
2	139389	1	RUOTA FONICA COMP.		
3	025809	1	Bearing		
5	125829	1	THRUST SHOE 40.5X50X2		
6	025053	1	Lockring		
7	133980	14	COUNTERPLATE Clutch		
8	138574	13	FRICION PLATE Clutch		
9	025067	2	Lockring		
10	140332	2	BACKING PLATE		
11	138368	1	GEAR		
12	129901	2	RALLA 70X50X4		
13	025031	2	Lockring		
14	133912	2	SPRING LOCK		
15	129896	2	COMPRESSION SPRING 7-78-63.3		
16	140126	2	LOCK-SPRING COVER		
17	138790	2	ROTARY SEAL RING D138		
18	138786	3	SEAL RING		
19	021558	2	Plug M10x1		
20	028372	1	Roller 4x8		
21	024321	2	Split pin D3x8		
22	068853	1	Shaft Z58 3/4 Kit		
23	138366	1	GEAR		
24	025066	1	Lockring		



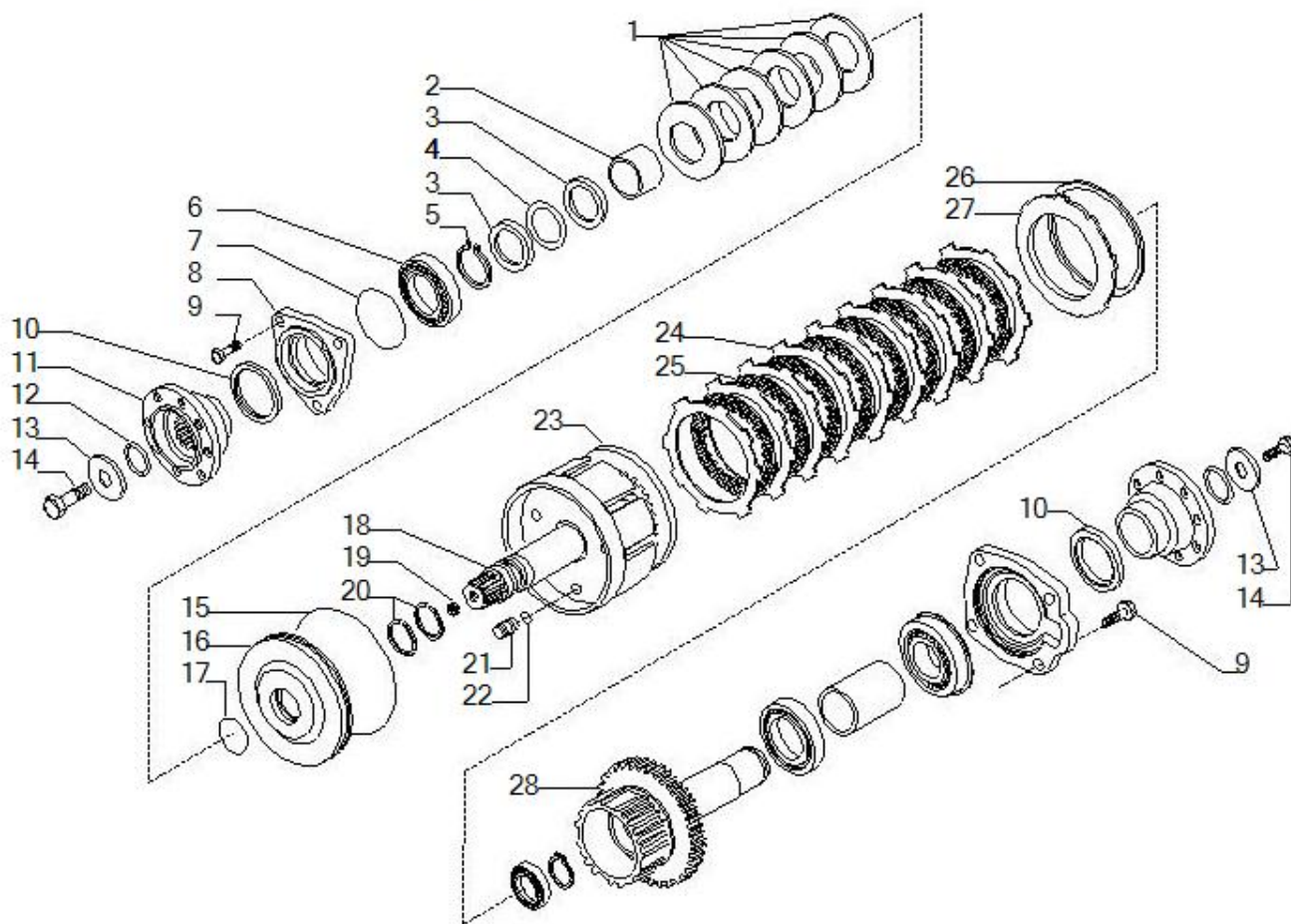
<i>Pos</i>	<i>Ref</i>	<i>Qty</i>	<i>Description</i>	<i>Kit</i>	<i>Note</i>
25	138365	1	GEAR		
26	138381	1	BACKING PLATE		
27	138377	7	COUNTERPLATE Clutch		
28	138378	6	FRICTION PLATE Clutch		



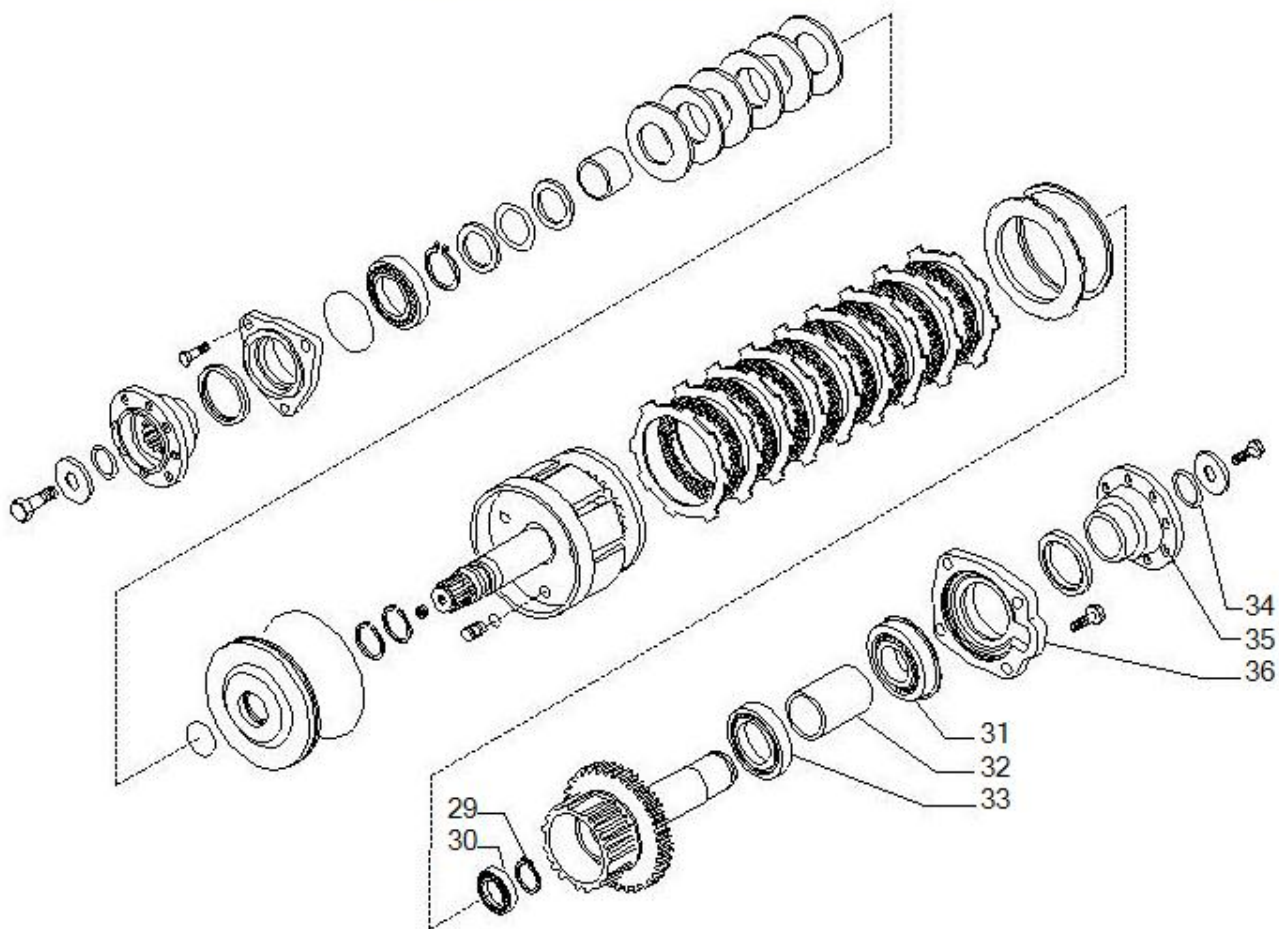
Pos	Ref	Qty	Description	Kit	Note
29	139348	1	COMPRESSION SPRING 9-108-100		
30	139347	1	SPRING COVER (13016)		
31	025021	1	Lockring		
32	140141	1	CLUTCH PISTON		
33	138372	1	RING		
34	028015	2	Needle bearing bush		
35	137825	1	SEAL RING		
36	138369	1	GEAR		
37	133379	1	SPACER		
38	028350	2	Bush		
39	138364	2	SEAL RING		
40	138398	1	COVER		
41	020852	4	Bolt M10x30		
42	024799	1	Snap ring		
43	079175	1	Thrust washer		
44	026190	1	Bearing		
46	140117	1	BELLEVILLE WASHER		
47	140116	2	BELLEVILLE WASHER 139X106X3		



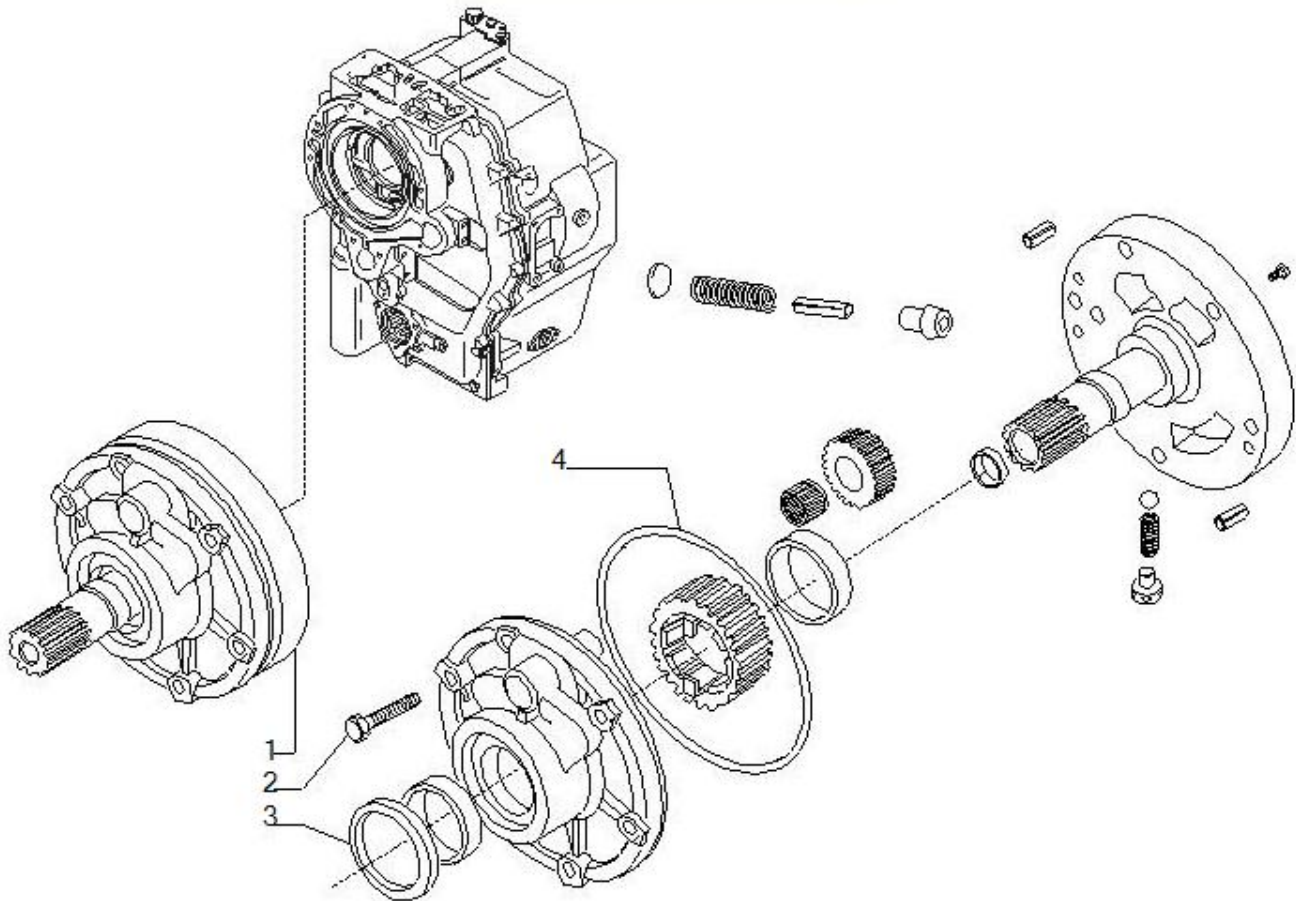
Pos	Ref	Qty	Description	Kit	Note
1	138399	6	BELLEVILLE WASHER 100x51x4		
2	138394	1	SPACER 50.2X45.1X29.4		
3	138391	2	FIFTH WHEEL 45.1X61X4.5		
5	024799	1	Snap ring		
6	025809	1	Bearing		
7	028528	1	O.ring		
8	139343	1	OUTPUT SHAFT COVER (13040)		
9	020852	7	Bolt M10x30		
10	025485	2	Oil seal ring		
11	139344	1	PM FLANGE DIN 1410 (013015)		
12	028131	1	O.ring		
13	129924	2	WASHER 12.5X52X5		
14	123918	2	SELF-LOCKING SCREW M12X1.25X25 10.9		
15	028624	1	O.ring		
16	139341	1	CLUTCH PISTON (13014)		
17	028548	1	O.ring		
18	139338	1	ALBERO USCITA		
19	021558	1	Plug M10x1		
20	138787	2	ROTARY SEAL RING D45		
21	139342	3	PIN ATTUAZIONE FRENO		
22	028534	3	O.ring		
23	138384	1	ACTUATOR DISC		
24	141113	10	CONTRODISCO FRIZIONE		
25	141112	9	DISCO FRIZIONE 45847		
26	025009	1	Lockring		



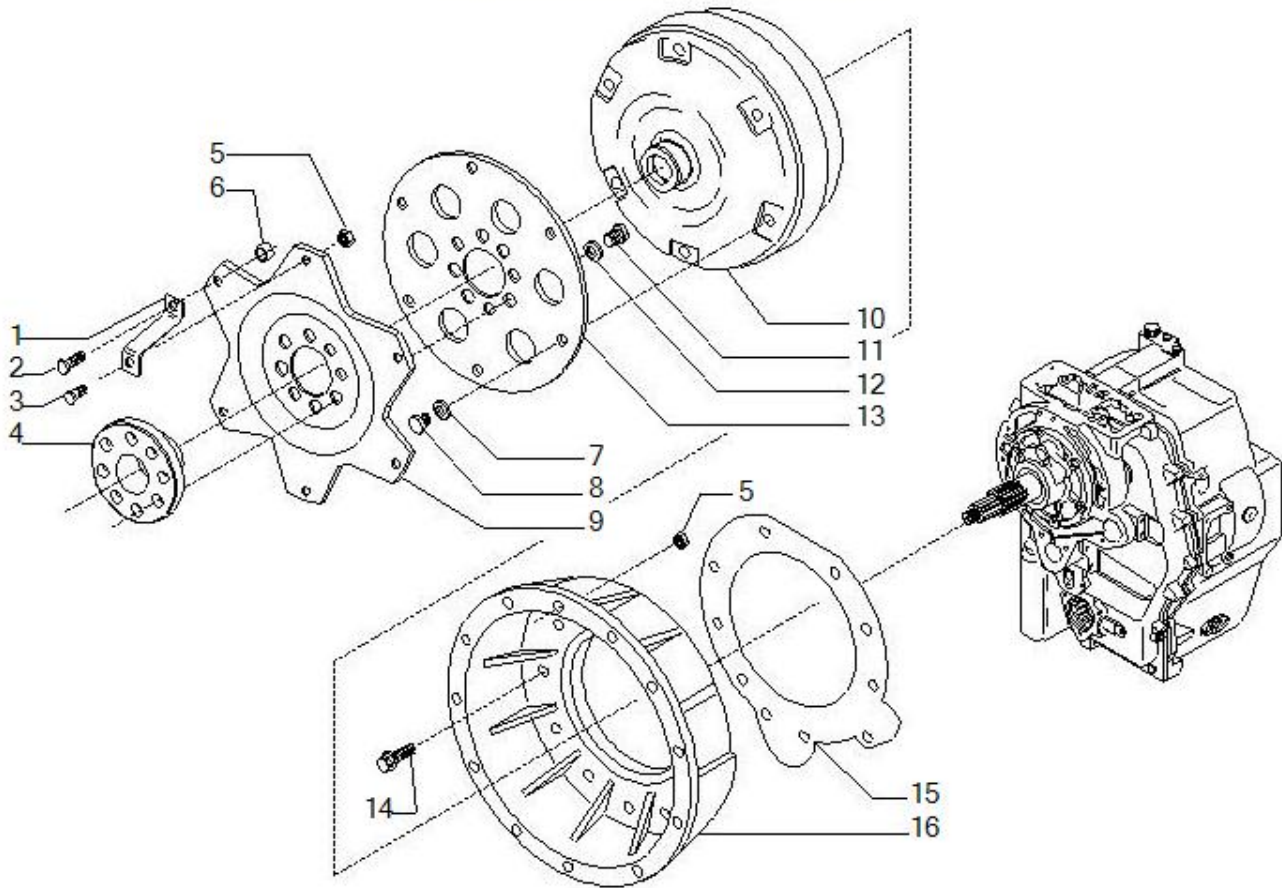
<i>Pos</i>	<i>Ref</i>	<i>Qty</i>	<i>Description</i>	<i>Kit</i>	<i>Note</i>
27	141114	1	RING ARRESTO DISCO FRIZIONE		
28	139339	1	GEAR Z41		



<b>Pos</b>	<b>Ref</b>	<b>Qty</b>	<b>Description</b>	<b>Kit</b>	<b>Note</b>
29	024780	1	Snap ring D25		
30	025818	1	Bearing		
31	026190	1	Bearing		
32	138395	1	DISTANZIALE 63X48X75.5		
33	027534	1	Bearing		
34	028623	1	O.ring		
35	138397	1	FLANGIA DIN 1410 13015		
36	133373	1	COVER		

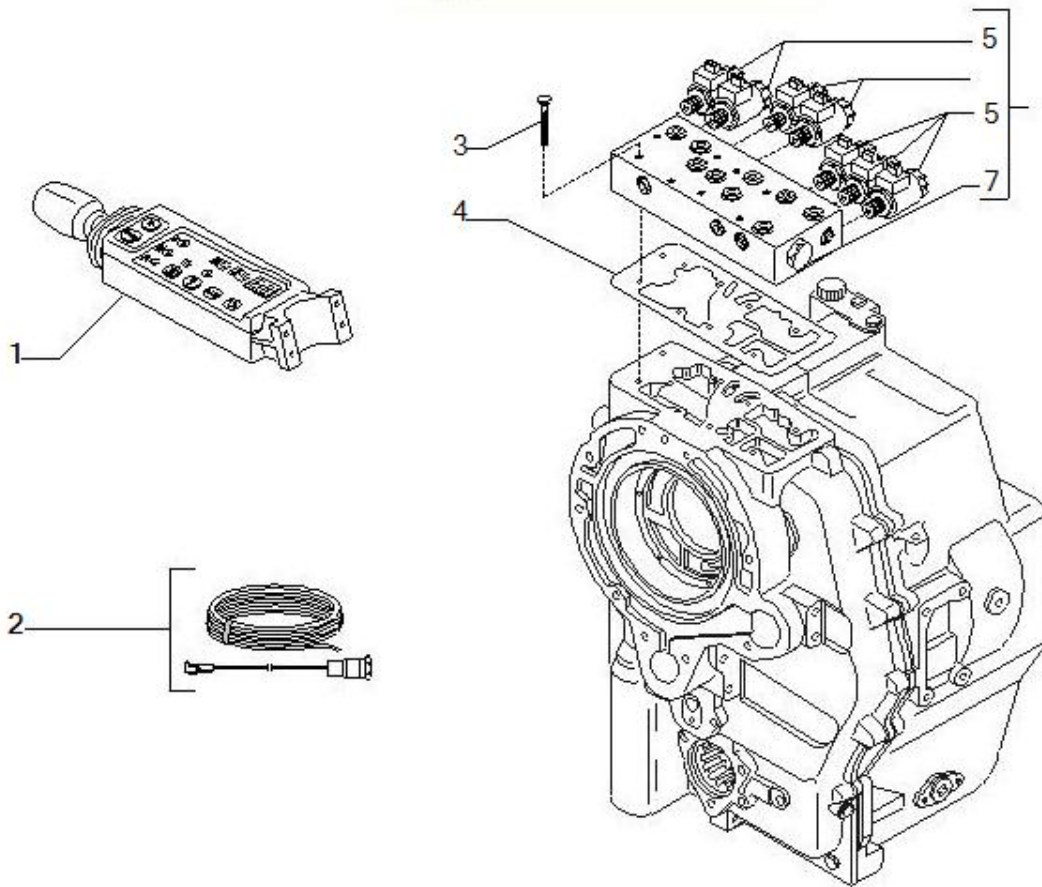


<i>Pos</i>	<i>Ref</i>	<i>Qty</i>	<i>Description</i>	<i>Kit</i>	<i>Note</i>
	028561	1	O.ring	135190	
	133566	1	SEAL RING BAVISLSFRDX7 57.15X76.2X9.5/11	135190	
1	135190	1	PUMP ASSEMBLY TRASMISSIONE PTO		
2	020803	6	Screw M8x60		
3	133566	1	SEAL RING BAVISLSFRDX7 57.15X76.2X9.5/11		
4	028561	1	O.ring		

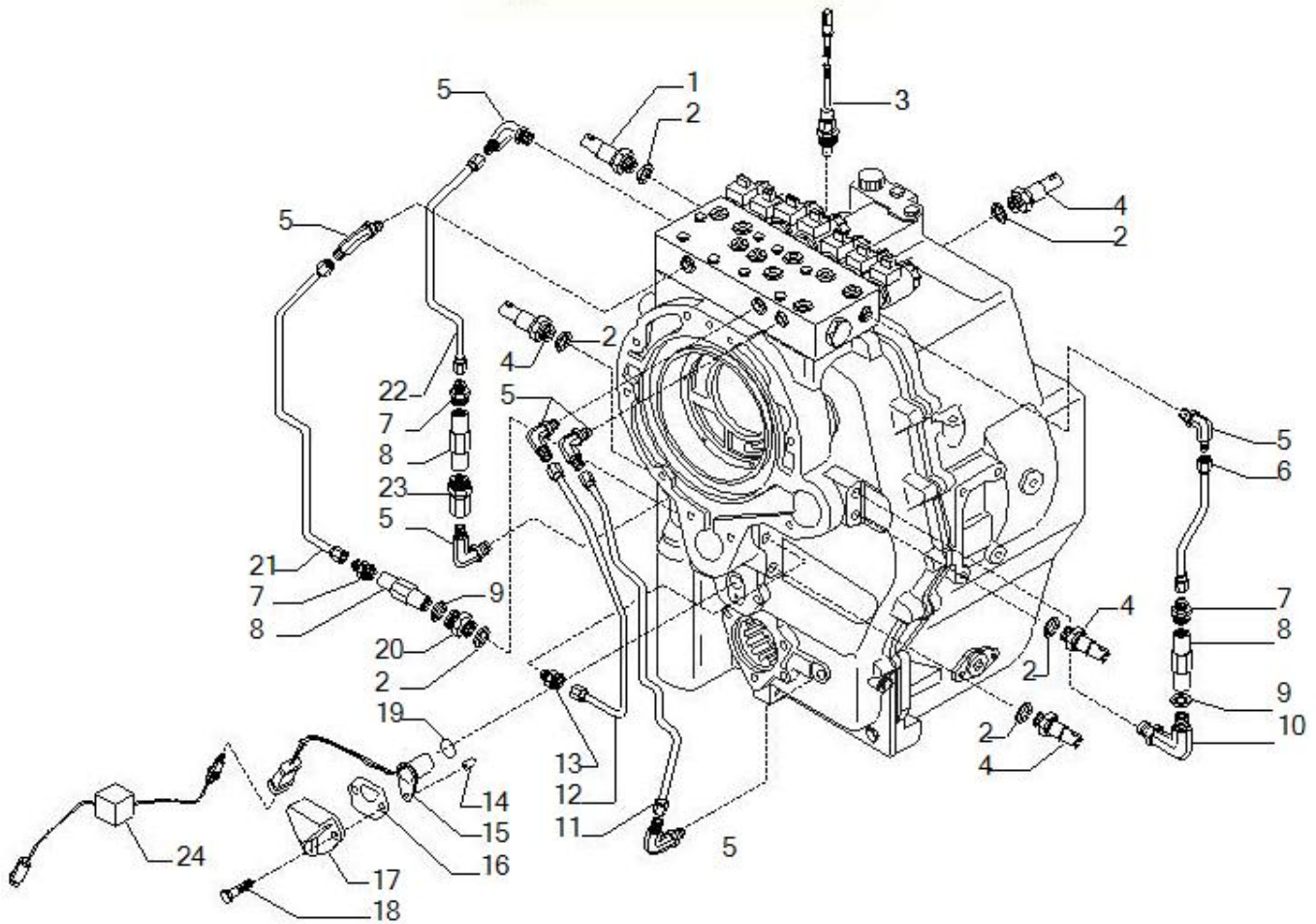


Pos	Ref	Qty	Description	Kit	Note
1	138575	1	STAFFA		
2	020786	1	Bolt M8x35		
3	020780	1	Bolt M8x22		
4	138571	1	FLANGE (13009)		
5	022116	2	Nut M8		
6	138659	1	BUSH		
7	023050	6	Spring washer		
8	020842	6	Bolt M10x16		
9	138569	1	FLYWHEEL TOW DISC		
10	130251	1	CONVERTER BW 12.2D PTO BW		
11	021216	8	Bolt M12x22		
12	023072	8	Spring washer		
13	138570	1	CONVERTER DISC		
14	125827	9	HEX HEAD FLANGE SCREW M12X1.75X29 12.9 C		
15	138568	1	GASKET		
16	138390	1	SAE3 HOUSING (11417)		





<b>Pos</b>	<b>Ref</b>	<b>Qty</b>	<b>Description</b>	<b>Kit</b>	<b>Note</b>
	045062	5	Electrovalve	138552	
	045063	2	Electrovalve	138552	
1	138553	1	Electronic switching system		
1	142658	1	Electronic switching system		
2	138554	1	WIRING HARNESS TLB2		
2	141801	1	WIRING HARNESS TLB2		
3	020803	8	Screw M8x60		
4	149995	1	GASKET		
5	045062	5	Electrovalve		
6	045063	2	Electrovalve		
7	045064	1	Divider		
8	138552	1	DISTRIBUTOR TLB2		



Pos	Ref	Qty	Description	Kit	Note
1	138643	1	SENDER		
2	023287	6	Washer		
3	138645	1	OIL TEMP.SENSOR		
3	143687	1	SENDER		
4	138644	4	SENDER		
5	134919	7	CONNECTOR 90 1/2 20J-1/4G		
6	140304	1	PIPE 2 DEG. SPEED		
7	140334	3	CONNECTION		
8	139990	3	ANTISHOCK VALVE KIT		
9	023281	2	Washer		
10	140335	1	CONNECTION		
11	138764	1	TUBO MANDATA 4WD		
12	138763	1	PIPE 4 DEG.SPEED		
13	137595	1	CONNECTOR STRAIGHT 1/4G 1		
14	117385	1	PARALLEL PIN 6X14		
15	134513	1	SENDER		
16	133387	1	GASKET		
17	138572	1	COPERCHIO SENSORE 13039		
18	020780	2	Bolt M8x22		
19	028531	1	O.ring		
20	140336	1	CONNECTION		
21	140305	1	PIPE 3 DEG. SPEED		
22	140303	1	PIPE 1 DEG.SPEED		
23	140333	1	CONNECTION		
24	141399	1	FILTER		